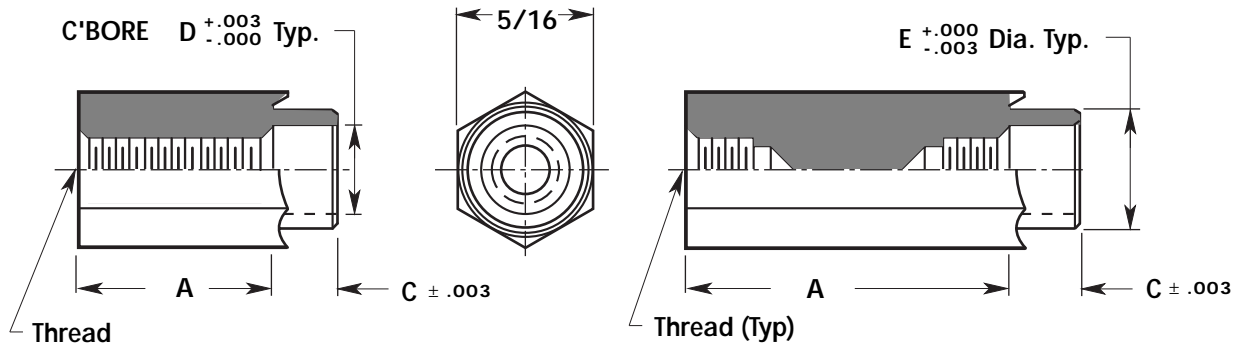


# Binding HEX SWAGE STANDOFFS

153

5/16" 162-192



DEPTH OF THREADS TAPPED THRU			
THREAD	ALUM • BRASS NYLON • STEEL	STAINLESS STEEL	SCREW DEPTH
6-32	1"	1"	3/8
8-32	1"	1"	7/16
10-32	1-1/8	1"	1/2

BASIC NO.	PART NO.	A LENGTH	C'BORE D	DIA E
153	162	1/8		
153	163	3/16		
153	164	1/4		
153	165	5/16		
153	166	3/8		
153	167	7/16		
153	168	1/2		
153	169	9/16		
153	170	5/8		
153	171	11/16		
153	172	3/4		
153	173	13/16		
153	174	7/8		
153	175	15/16		
153	176	1"	.200	.234
153	177	1-1/16		
153	178	1-1/8		
153	179	1-3/16		
153	180	1-1/4		
153	181	1-5/16		
153	182	1-3/8		
153	183	1-7/16		
153	184	1-1/2		
153	185	1-9/16		
153	186	1-5/8		
153	187	1-11/16		
153	188	1-3/4		
153	189	1-13/16		
153	190	1-7/8		
153	191	1-15/16		
153	192	2"		

SWAGE LENGTH C ±.003	CODE	BOARD THICKNESS
.075	1	1/32
.105	2	1/16
.135	3	3/32
.165	4	1/8

MATERIAL	CODE
Aluminum	AL
Brass	BR
Stainless Steel	SS
Steel	ST

ORDERING INFORMATION					
XXX-XX	XX	XXX	X	X	
Basic No & Part No	Material	Thd.	C	Finish	
Example					
153-166	ST	632	3	*	
* For Finish Code See Fold-Out Inside Back Cover					