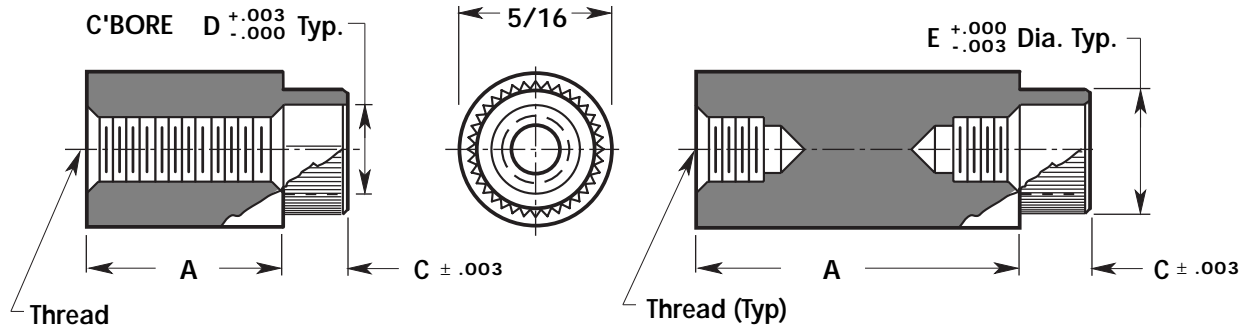


Full Knurled ROUND SWAGE STANDOFFS

147

5/16" 286-316



DEPTH OF THREADS TAPPED THRU			
THREAD	ALUM • BRASS NYLON • STEEL	STAINLESS STEEL	SCREW DEPTH
6-32	1"	1"	3/8
8-32	1"	1"	7/16
10-32	1-1/8	1"	1/2

BASIC NO.	PART NO.	A LENGTH	C'BORE D	DIA E
147	286	1/8		
147	287	3/16		
147	288	1/4		
147	289	5/16		
147	290	3/8		
147	291	7/16		
147	292	1/2		
147	293	9/16		
147	294	5/8		
147	295	11/16		
147	296	3/4		
147	297	13/16		
147	298	7/8		
147	299	15/16		
147	300	1"		
147	301	1-1/16	.200	.247
147	302	1-1/8		
147	303	1-3/16		
147	304	1-1/4		
147	305	1-5/16		
147	306	1-3/8		
147	307	1-7/16		
147	308	1-1/2		
147	309	1-9/16		
147	310	1-5/8		
147	311	1-11/16		
147	312	1-3/4		
147	313	1-13/16		
147	314	1-7/8		
147	315	1-15/16		
147	316	2"		

SWAGE LENGTH C ± .003	CODE	BOARD THICKNESS
.075	1	1/32
.105	2	1/16
.135	3	3/32
.165	4	1/8

MATERIAL	CODE
Aluminum	AL
Brass	BR
Stainless Steel	SS
Steel	ST

ORDERING INFORMATION				
XXX-XX	XX	XXX	X	X
Basic No & Part No	Material	Thd.	C	Finish
Example				
147-300	ST	632	3	*
* For Finish Code See Fold-Out Inside Back Cover				